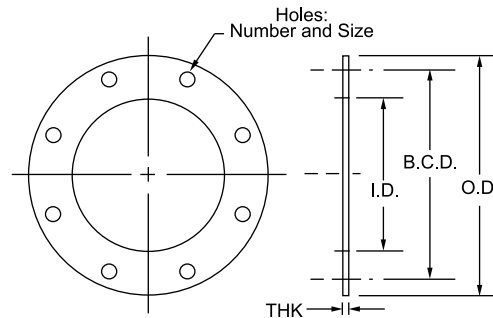


Pipe Flanges Model HA1 Tubing Flanges Model HA2



Pipe Plate Flanges: 125/150# ANSI Steel Welding

Size	Model	I.D.	O.D.	No. of Holes	Size of Holes	B.C.D.	Thickness	Weight
2	HA1-02-0001	2 7/16	6	4	3/4	4 3/4	1/2	2
2 1/2	HA1-25-0001	3	7	4	3/4	5 1/2	1/2	2
3	HA1-03-0001	3 9/16	7 1/2	4	3/4	6	1/2	3
3 1/2	HA1-35-0001	4 1/16	8 1/2	8	3/4	7	1/2	4
4	HA1-04-0001	4 9/16	9	8	3/4	7 1/2	1/2	6
5	HA1-05-0001	5 5/8	10	8	7/8	8 1/2	1/2	7
6	HA1-06-0001	6 11/16	11	8	7/8	9 1/2	1/2	9
8	HA1-08-0001	8 3/4	13 1/2	8	7/8	11 3/4	1/2	12
10	HA1-10-0001	10 7/8	16	12	1	14 1/4	1/2	15
12	HA1-12-0001	12 7/8	19	12	1	17	1/2	22
14	HA1-14-0001	14 3/16	21	12	1 1/8	18 3/4	1/2	25
16	HA1-16-0001	16 3/16	23 1/2	16	1 1/8	21 1/4	1/2	28
18	HA1-18-0001	18 3/16	25	16	1 1/4	22 3/4	1/2	32
20	HA1-20-0001	20 3/16	27 1/2	20	1 1/4	25	1/2	35
22	HA1-22-0001	22 3/16	29 1/2	20	1 3/8	27 1/4	1/2	38
24	HA1-24-0001	24 3/16	32	20	1 3/8	29 1/2	1/2	45

Tube Plate Flanges: 125/150# ANSI Steel Welding

Size	Model	I.D.	O.D.	No. of Holes	Size of Holes	B.C.D.	Thickness	Weight
2	HA2-02-0001	2 1/16	6	4	3/4	4 3/4	1/2	2
2 1/2	HA2-25-0001	2 9/16	7	4	3/4	5 1/2	1/2	2
3	HA2-03-0001	3 1/16	7 1/2	4	3/4	6	1/2	3
3 1/2	HA2-35-0001	3 9/16	8 1/2	8	3/4	7	1/2	4
4	HA2-04-0001	4 1/16	9	8	3/4	7 1/2	1/2	6
5	HA2-05-0001	5 1/16	10	8	7/8	8 1/2	1/2	7
6	HA2-06-0001	6 1/16	11	8	7/8	9 1/2	1/2	9
8	HA2-08-0001	8 1/16	13 1/2	8	7/8	11 3/4	1/2	12
10	HA2-10-0001	10 1/16	16	12	1	14 1/4	1/2	15
12	HA2-12-0001	12 1/16	19	12	1	17	1/2	22

* Flange kits available. Kits include: (1) flange, (1) gasket, (1) set of bolts and nuts

Customize your exhaust system to meet your application needs!

We will work with you to design the silencer and exhaust components that will save product cost and installation time.

BMEH-100 (10/08)

BelMar Industries

Ph: 952-486-8588

Fax: 952-486-8289

www.belmar-ind.com